

UNIPRESS

42X and 45X ALL PURPOSE UTILITY DRYCLEANING PRESSES

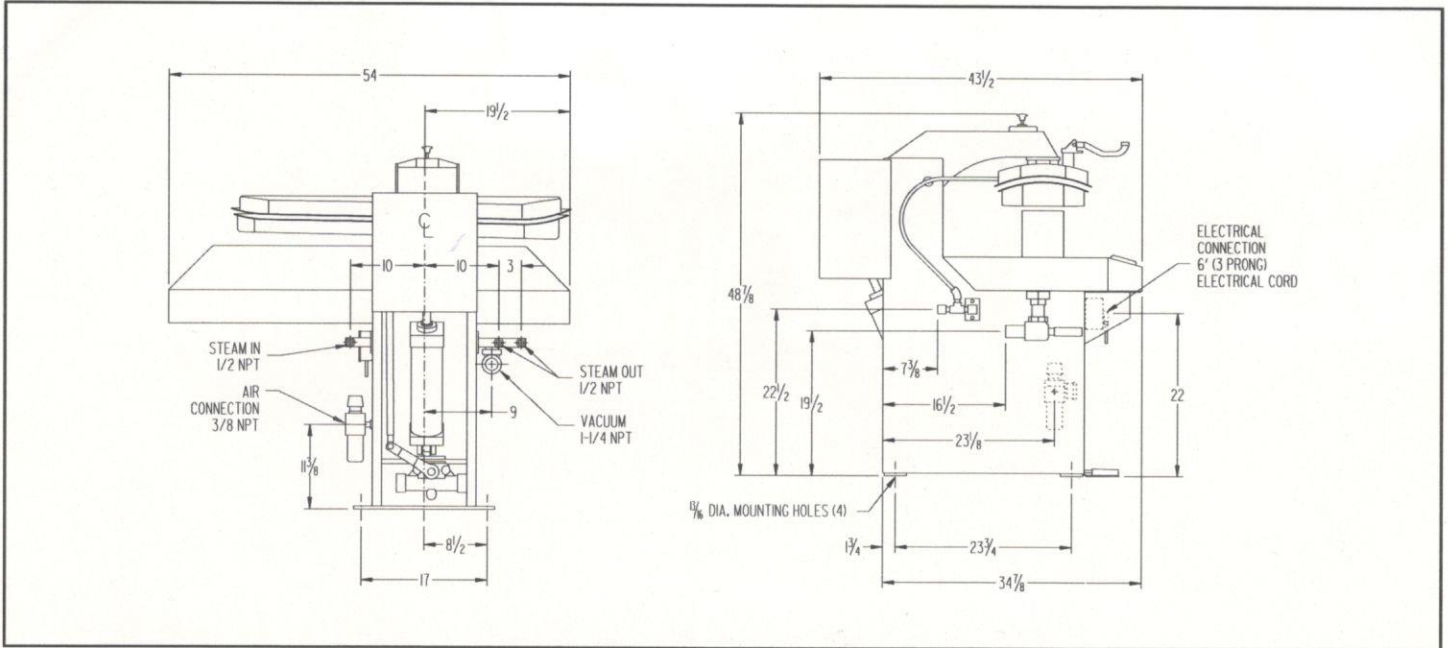


The Unipress 42X and 45X are designed with the operator and owner in mind. Operators love the open area around the buck allowing unrestricted movement of garments, which increases production and improves quality. Owners are impressed with the reliability and low capital cost.

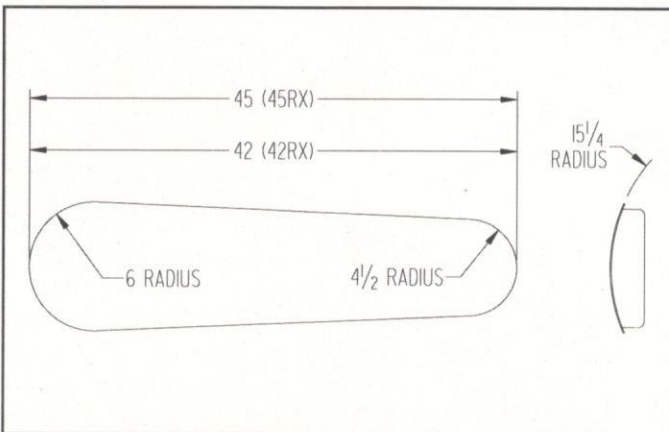
The Unipress X-Series utility presses are loaded with standard features.

- Wide Head Opening
- Finger Tip Pressure Regulator
- Fast Smooth Operation
- Single Cylinder Action
- Minimum of Floor Space
- Heavy Duty Steel Frame Construction
- Microprocessor Controls with Self Diagnostics

42X AND 45X TECHNICAL DATA



BUCK DIMENSIONS



SPECIFICATIONS

| | 42X | 45X |
|---------------------------|-------------|-------------|
| Height of buck - padded | 40 1/2" | 40 1/2" |
| Length of buck - unpadded | 42" | 45" |
| Width of buck - unpadded | 12" | 12" |
| Width of machine | 54" | 54" |
| Depth of machine | 43 1/2" | 43 1/2" |
| Steam inlet (1) | 1/2" NPT | 1/2" NPT |
| Steam outlet (2) | 1/2" NPT | 1/2" NPT |
| Vacuum outlet | 1 1/4" NPT | 1 1/4" NPT |
| Air inlet | 3/8" NPT | 3/8" NPT |
| Air supply | 85 PSI | 85 PSI |
| Air consumption/cycle | 1/2 Cu. Ft. | 1/2 Cu. Ft. |
| Boiler horsepower rating | 1 HP | 1 HP |
| Net weight | 750 lbs | 800 lbs |
| Electrical | 115/1/60 | 115/1/60 |
| Amperage | 1/2 AMP | 1/2 AMP |



Sold & Serviced by
 Integrity Mechanical Inc.
 6519 - 40 Street SE
 Calgary, AB T2C 2J9
 (403) 236-2873

UNIPRESS

3501 Queen Palm Drive Tampa, Florida 33619
 Telephone (813) 623-3731 FAX (813) 626-2565

www.unipresscorp.com